

PRODUCT INFORMATION: MISCEA LIGHT



DESCRIPTION

Sensor faucet available with and without integrated soap dispenser.

FEATURES

- Electronic faucet
- User interface made of robust Makrolon polycarbonate
- Automatic flushing for prevention of water-borne bacteria. Cycles completely adjustable with the miscea remote control (sold separately)
- User mode for public spaces can be activated with remote control (sold separately)
- Electronics and solenoid valve integrated into faucet

INCLUDED

- miscea **LIGHT** Faucet
- *Soapbox
- *miscea Liquids
- Stainless steel braided hose for the water connection (850 mm)
- Power plug (Cable length 1800 mm)
- 1 x Installation kit
- 1 x Instruction manual



100%
Contactless



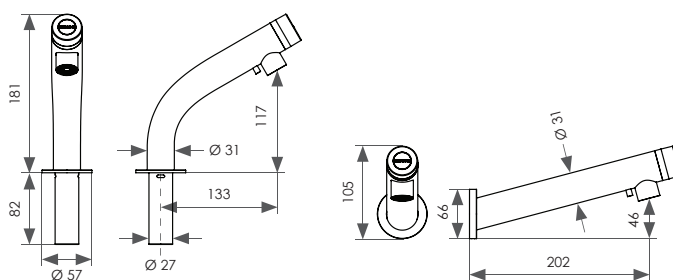
Integrated
Soap Dispenser

SPECIFICATIONS

Voltage	12 V _{DC}
Input voltage	100 ~ 240 V _{AC} / 50 - 60 Hz
Operating pressure	0,5 - 8 bar
Max. Water temp	70 °C
IP rating of PCB	IP 55

All measurements are in mm. *Available only for version with integrated soap dispenser

For wall models, you can purchase a separate concealed mounting element with item number S02043001 for €49.95. See page 88 for more information.




MODEL:

LIGHT Standard

LIGHT Wall

PRODUCT INFORMATION: MISCEA LIGHT

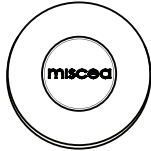


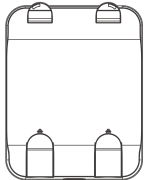
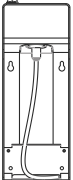
FINISH OPTIONS	MODEL		SOAPBOX TYPE			DISPLAY		PRICE	ART. NR.
	Standard	Wand	No Soapbox	Pouch	Bottle	DE	EN	€	
 Stainless Steel	✓		✓					645,00	LER1S0NC
	✓			✓		✓		845,00	LER1S11NCDE
	✓			✓			✓	845,00	LER1S11NCEN
	✓				✓	✓		895,00	LER1S21NCDE
	✓				✓		✓	895,00	LER1S21NCEN
		✓	✓					645,00	LER3S0NC
		✓		✓		✓		845,00	LER3S11NCDE
		✓		✓			✓	845,00	LER3S11NCEN
		✓			✓	✓		895,00	LER3S21NCDE
		✓			✓		✓	895,00	LER3S21NCEN

To place an order for the different surface finishes in this range, simply replace the colour code in the second position of the product article number with the colour code of your choice. For example, in the article number LER3S21NCEN, the "E" stands for "Stainless steel" finish. If you would like to order the same product in "Gold Polished", replace "E" with "GP". The article number is then LGPR3S21NCEN.

							
COLOUR:	Polished Chrome	Matt Black	Matt White	Gun Metal	Antique Copper	Antique Gold	Polished Gold
CODE:	C	SM	WM	GM	KA	GA	GP
ADDED COST:	+0 EUR	+74,95 EUR	+74,95 EUR	+129,95 EUR	+129,95 EUR	+129,95 EUR	+295,95 EUR

The surface finishes shown here are indicative only and may vary from the actual product. Please note the additional cost of the chosen finish is in addition to the base prices listed in the stainless steel category.

Prices are exclusive of VAT, and shipping costs. Lead time for polished chrome / brushed stainless steel: approx. 2 - 4 weeks. Lead times for all other colour variants: approx. 6 - 8 weeks. Please inquire about the current delivery times at berlin@miscea.com.

			
DISPLAY:	NO DISPLAY	GERMAN (DE)	ENGLISH (EN)
			
SOAPBOX TYPE:	FOR POUCHES	FOR BOTTLE	

PRODUCT INFORMATION: SOAPBOX

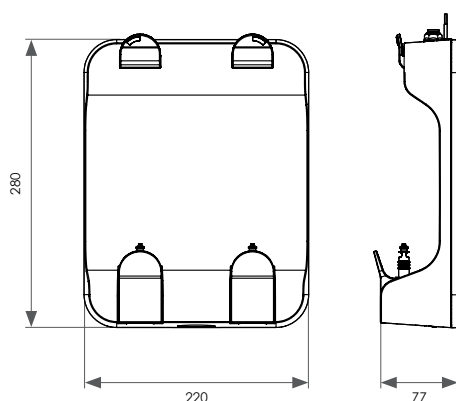


SOAPBOX

DESCRIPTION: SOAPBOX FOR POUCHES

The soapbox for use with 1 L vacuum pouches contain peristaltic pumps for the exact dosing of liquids. This component has a smooth, easy to clean outer surface and 2 closures that secure the vacuum pouches in place.

This soapbox in combination with the vacuum sealed pouches, ensures the quality of the liquid products does not diminish over time as it is not exposed to external contaminants.

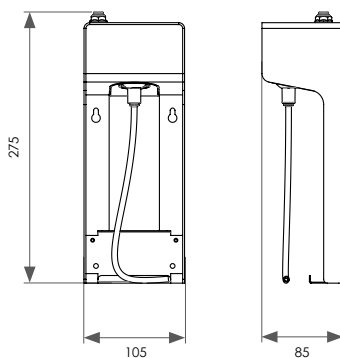


All measurements are in mm



SOAPBOX FOR BOTTLE

The new stainless steel miscea soapbox for bottle is compatible with 1 L Euro bottles.



All measurements are in mm

PLEASE NOTE: miscea recommends Euro bottles to not be re filled because re filling liquid hand hygiene products in existing containers has been proven in many studies as a cause of contamination associated with outbreaks.

Source: „HÄNDEHYGIENE IN EINRICHTUNGEN DES GESUNDHEITSWESENS“. In: Bundesgesundheitsblatt - Gesundheitsforschung - Gesundheitsschutz. Stand September 2016. https://www.rki.de/DE/Content/Infekt/Krankenhausthygiene/Kommission/Downloads/Haendehyg_Rili.pdf?__blob=publicationFile (Visited on 02.12.2017)